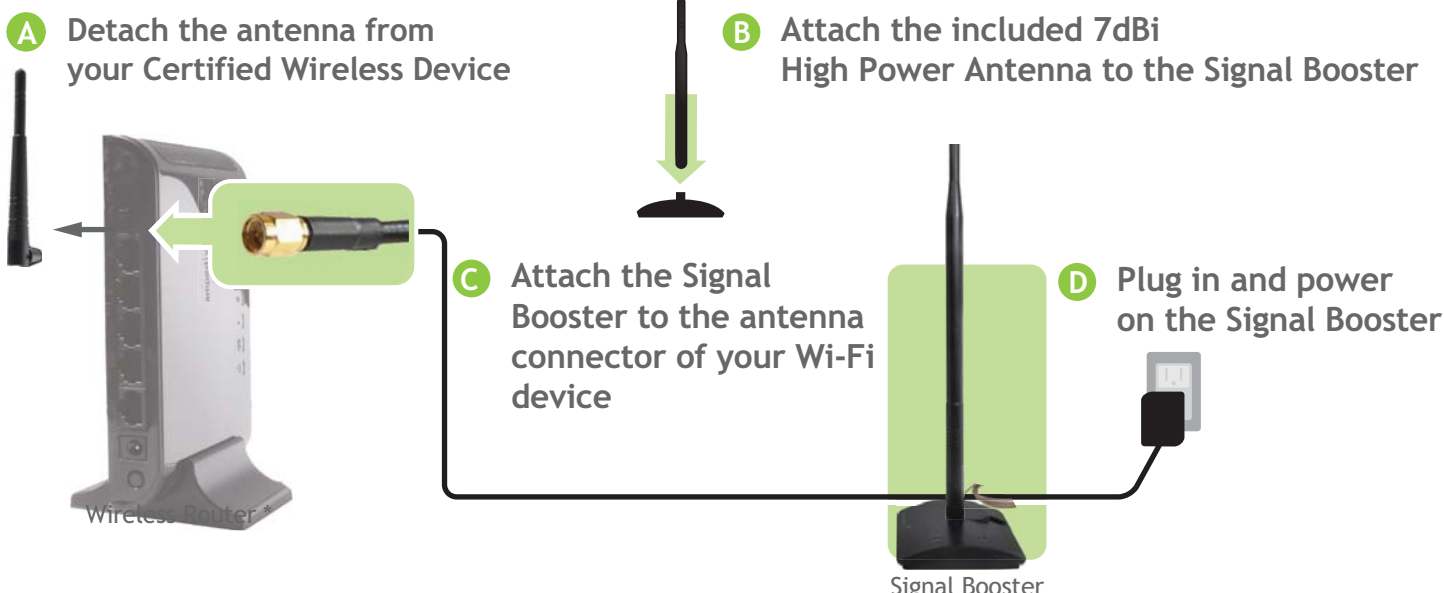




— READ FIRST —

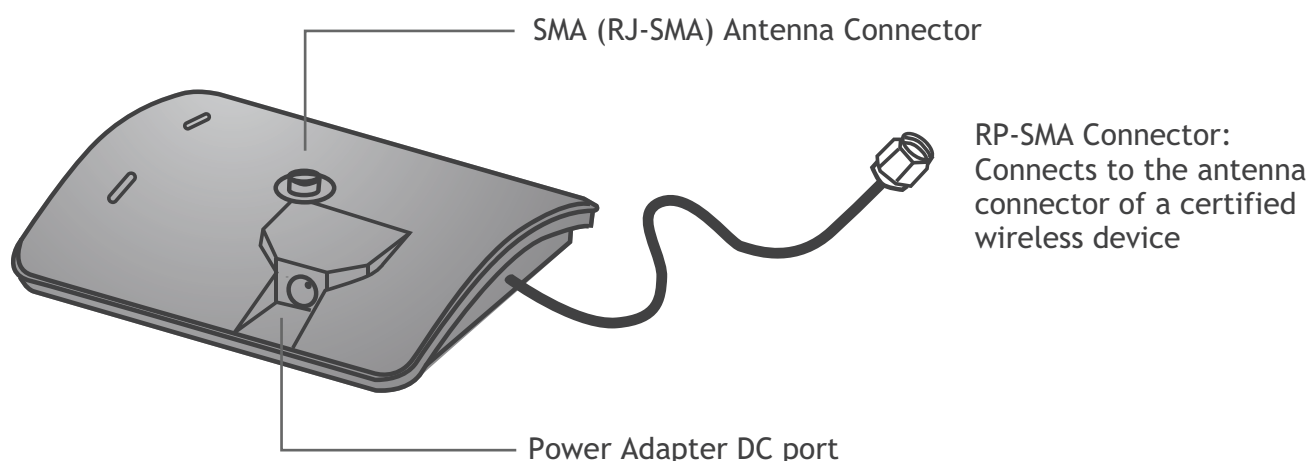
1 Assemble and Connect the Signal Booster to your Wireless Device



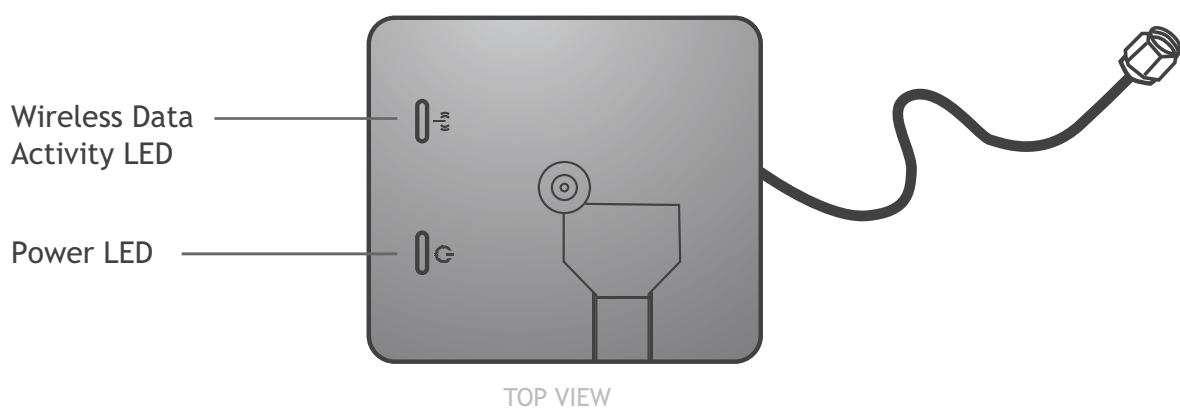
* Works with certified devices with Reverse Jack SMA Antenna Connectors

Product Description

Features

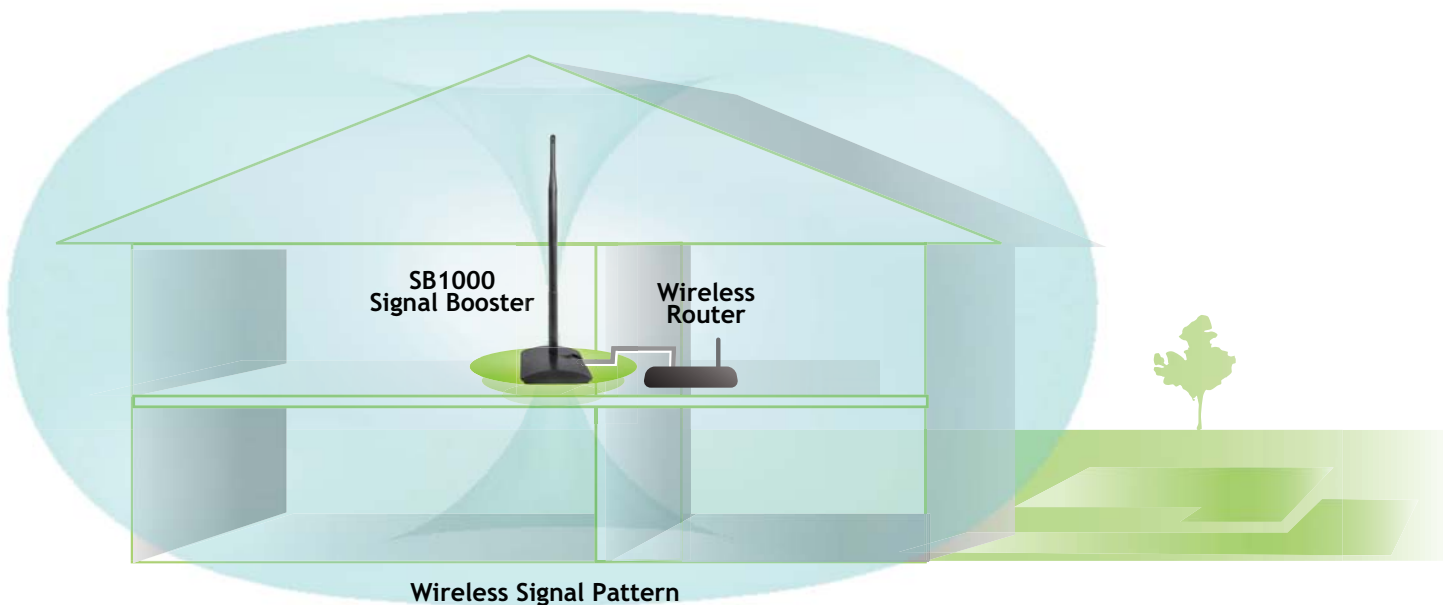


LED Descriptions



Placement

For optimal range, use the Signal Booster towards the center of your home in a high location. The Signal pattern for the Signal Booster is shown below:



Mounting Instructions

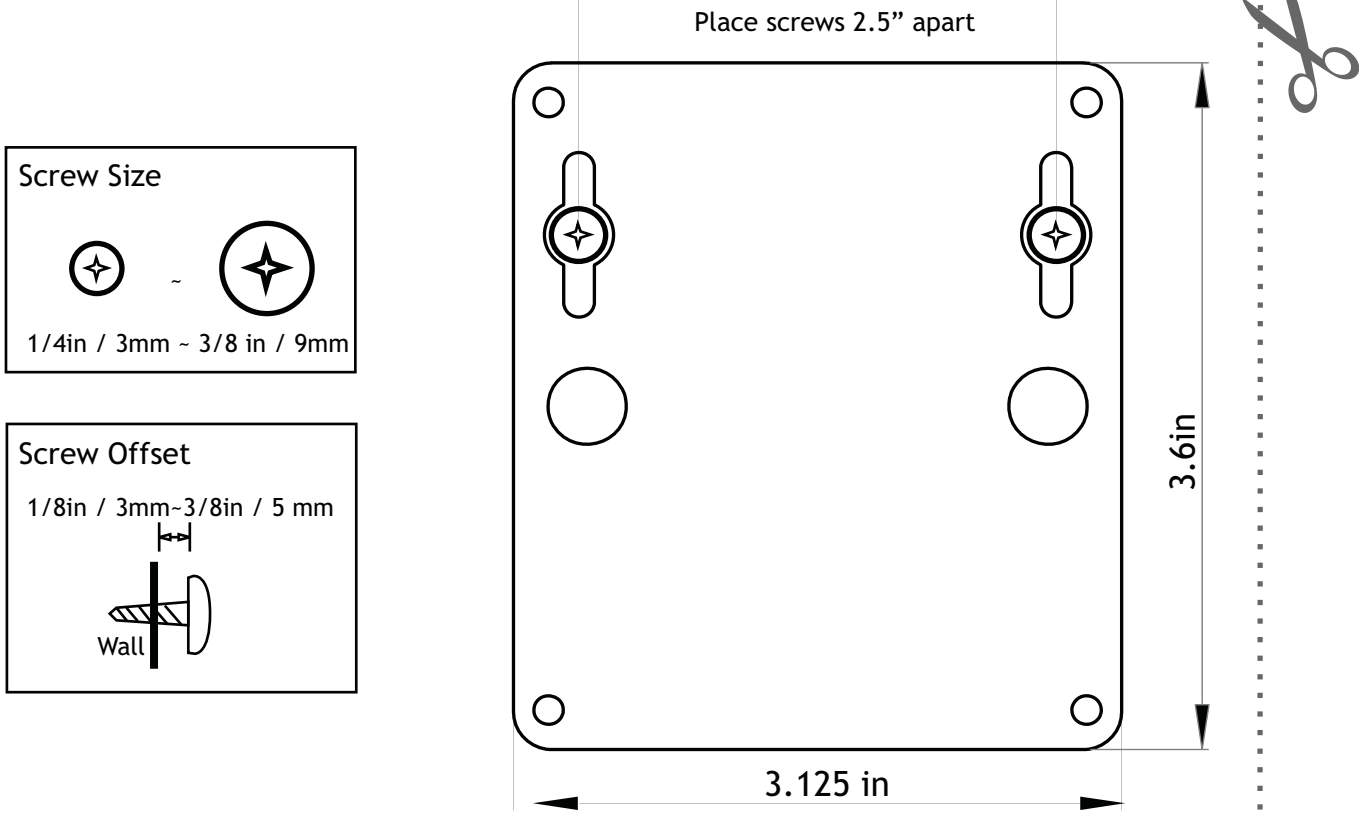
Magnetic Mounting:

The Signal Booster has a magnetic base and can be mounted on any magnetic surface, such as a desktop computer case.

Wall Mounting:

Use the included screws to mount the Booster on the wall correctly: Leave the screw 3-5 mm away from the wall so the Booster's mounting plate can be mounted securely between the wall and the screw head. Use the provided screws to ensure proper wall installation.

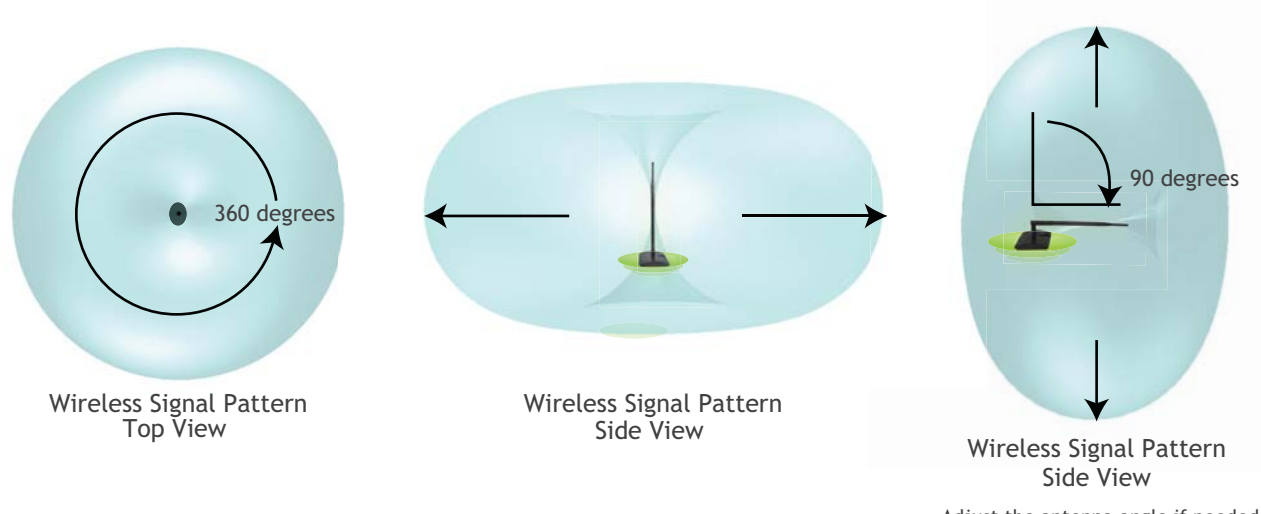
Mounting Template:



Tips for Getting the Most out of your Signal Booster

Tip 1: How to use the Signal Booster to achieve more range in different directions.

The wireless pattern of the Signal Booster is shown below. Adjust the antenna placement, angle and direction until your wireless coverage is optimal for your specific installation. It is also important to note that wireless signals reflect off surfaces such as walls so that other areas may also be covered.



Tip 2: Avoid placing the Signal Booster near devices that may create interference.

Several household items may inhibit wireless performance.

Avoid placing the Signal Booster near these items:

- Refrigerators
- Microwaves
- Metal (Cabinets, walls, etc...)
- Water (Aquariums)
- Washer and dryers
- Metallic tint (windows)

Tip 3: Add other High Power Wi-Fi devices and adapters to increase the overall range of your wireless network.

To achieve maximum range from a wireless connection between an access point and a wireless computer or device, both the access point and wireless device must have high power capabilities. Increasing the power for one side only provides 50% of the overall range benefits. To maximize your wireless range, upgrade the power for both sides of the connection with high power wireless adapters or Wi-Fi antennas.

Other Wi-Fi Range Extending Products from Amped Wireless (sold separately)

Amped Wireless offers a complete line of High Powered Wi-Fi products to maximize the range of your wireless network. Visit www.ampedwireless.com for more information.



High Power Wireless Smart Repeaters

- Repeat the signal from a wireless network
- Works with all 802.11b/g/n wireless routers



High Power Wireless USB Adapters

- Add long range wireless to your Mac or Windows PC
- Features high power amplifiers and antennas



High Power Wireless Antennas

- Directional and omni-directional solutions
- Advanced high gain antenna technology

FCC Statement

FCC Statement and Declaration: Amped Wireless declares that this device complies with Part 15 of the FCC Rules and Regulations. Operation of this device is subject to the following two (2) conditions:

- (1) This device may not cause harmful interference
- (2) This device must accept any interference received, including interference that may cause undesired operation.

FCC Notice: This equipment has been tested and found to comply with the limits for a Class B digital device, pursuant to Part 15 of the FCC Rules. These limits are designed to provide reasonable protection against harmful interference in a residential installation. This equipment generates, uses and can radiate radio frequency energy and, if not installed and used in accordance with the instructions, may cause harmful interference to radio communications. However, there is no guarantee that interference will not occur in a particular installation. If this equipment does cause harmful interference to radio or television reception, which can be determined by turning the equipment off and on, the user is encouraged to try and correct the interference by one or more of the following measures:

- Reorient or relocate the receiving antenna.
- Increase the distance between the equipment and the receiver.
- Connect the equipment to an outlet on a circuit different from that to which the receiver is connected.
- Consult the dealer or an experienced radio/TV technician for help.

FCC Caution and Safety Notices: Any changes or modifications (including the antennas) made to this device that are not expressly approved by the manufacturer may void the user's authority to operate the equipment. This device and its antenna(s) must not be co-located or operating in conjunction with any other antenna or transmitter. Avoid use of this product near water or during an electrical storm as there may be a remote risk of electrical shock from lighting. This product may contain lead, known to the State of California to cause cancer, and birth defects or other reproductive harm. Wash hands after handling. This device must always be used with a Listed Computer or device.

FCC Notice for Signal Amplifiers/Boosters: Signal Amplifiers and Boosters (such as the SB1000) may only be used in a system in which it has obtained authorization from the FCC. Signal Boosters (such as the SB1000) may not be used with any device which has not obtained proper FCC authorization or has not been certified for use as a system with the Signal Booster (such as the SB1000).

Product Warranty

The Amped Wireless (A division of Newo Corporation, Inc.) Limited Warranty

Warranty Period: The Amped Wireless Limited Warranty is for one (1) year from the date of purchase for new products. Refurbished products carry the Limited Warranty for thirty (30) days after the date of purchase. Guarantee: Amped Wireless warrants to the original purchaser that the hardware of this Amped Wireless product shall be free of defects in design, assembly, material, or workmanship.

Conditions: The Amped Wireless Limited Warranty is for repair or replacement only at the sole discretion of Amped Wireless. Amped Wireless does not issue any refunds for purchased product. In the event that Amped Wireless is unable to repair or replace a product (i.e. discontinued product), Amped Wireless will offer a credit toward the purchase of a similar product of equal or lesser value direct from Amped Wireless. Any repaired or replacement products will be warranted for the remainder of the original Warranty Period or thirty (30) days, whichever is longer. Amped Wireless reserves the right to discontinue any of its products without notice, and disclaims any limited warranty to repair or replace any such discontinued product. Amped Wireless reserves the right to revise or make changes to this product, its documentation, packaging, specifications, hardware, and software without notice. If any portion of the Amped Wireless Limited Warranty is found to be unenforceable, its remaining provisions shall remain in effect. All costs of shipping the product to Amped Wireless shall be borne solely by the purchaser.

Limitations: IN NO EVENT SHALL AMPED WIRELESS' (NEWO CORPORATION'S) LIABILITY EXCEED THE AMOUNT PAID BY YOU FOR THE PRODUCT FROM DIRECT, INDIRECT, SPECIAL, INCIDENTAL OR CONSEQUENTIAL DAMAGES RESULTING FROM THE USE OF THE PRODUCT, ITS ACCOMPANYING SOFTWARE, ACCESSORIES OR ITS DOCUMENTATION. The Amped Wireless Limited Warranty does not apply if: (a) the product assembly has been opened or damaged, (b) the product or its software or firmware has been altered or modified, (c) the product has not been used and installed in accordance to Amped Wireless' instructions, (d) the product has been subjected to misuse, or negligence. Amped Wireless does not guarantee the continued availability of a third party's service for which this product's use or operation may require. The Amped Wireless Limited Warranty does not protect against acts of God, vandalism, theft, normal wear and tear, obsolescence and environmental damages such as, but not limited to, weather and electrical disturbances. The Amped Wireless Limited Warranty is the sole warranty for this product. There are no other warranties, expressed or, except required by law, implied, including the implied warranty or condition of quality, performance merchantability, or fitness for any particular purpose.

How to Claim Warranty: In the event that you have a problem with this product, please go to www.ampedwireless.com/support to find help on solving your problem. In the event that you cannot and need to file a warranty claim, please call Amped Wireless' Customer Service or visit www.ampedwireless.com/support to fill out a Return Authorization (RMA) form and obtain a Return Authorization (RMA) number. A dated proof of original purchase and the RMA number is required to process warranty claims. You are responsible for properly packaging and shipping the product at your cost and risk to Amped Wireless. The bearer of cost related to shipping repaired or replaced product back to the purchaser will be at the sole discretion of Amped Wireless and determined based on the details of each RMA case. Customers outside of the United States of America are responsible for all shipping and handling costs including custom duties, taxes and all other related charges.

Technical Support: The Amped Wireless Limited Warranty is not related to the terms, conditions and policies of Amped Wireless' Technical Support offerings. For questions regarding support, please contact techsupport@ampedwireless.com.