

What you'll need to get started:

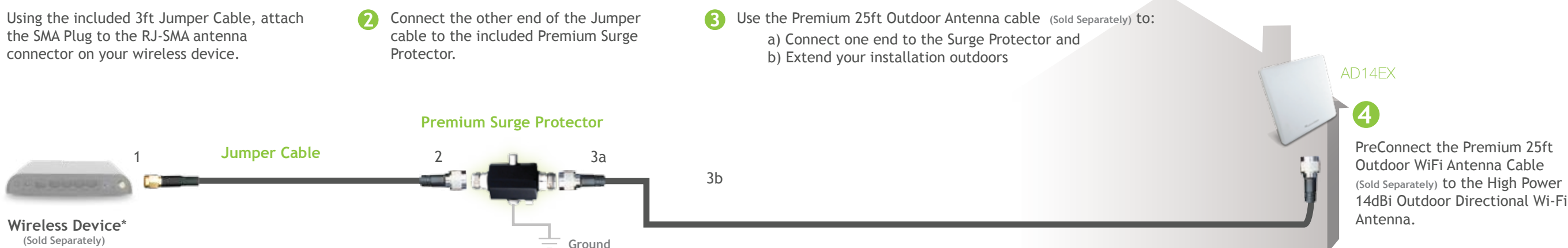
- 802.11b/g/n Wireless Router, Access Point, Bridge, Repeater or Wireless Device with RJ-SMA or N-Type female connector 
- Premium 25ft Outdoor WiFi Antenna Cable **APC25EX** (Sold Separately) 

Check your package contents:

- High Power 14dBi Outdoor Directional WiFi Antenna **AD14EX** 
- Premium Indoor Jumper Cable (N-Type Male to RP-SMA Connectors) 
- Premium Surge Protector 
- Antenna Mounting Kit 

Installation Instructions

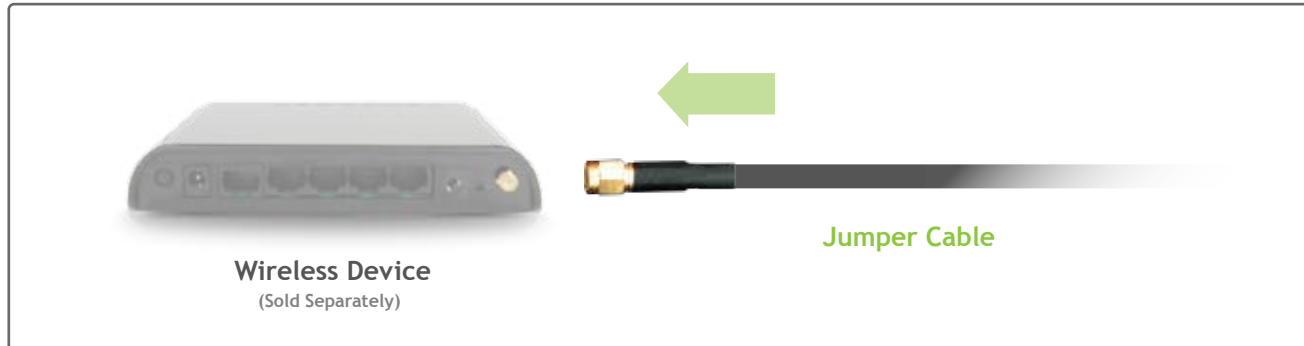
Installation Overview

- 1 Using the included 3ft Jumper Cable, attach the SMA Plug to the RJ-SMA antenna connector on your wireless device.
 - 2 Connect the other end of the Jumper cable to the included Premium Surge Protector.
 - 3 Use the Premium 25ft Outdoor Antenna cable (Sold Separately) to:
 - a) Connect one end to the Surge Protector and
 - b) Extend your installation outdoors
 - 4 PreConnect the Premium 25ft Outdoor WiFi Antenna Cable (Sold Separately) to the High Power 14dBi Outdoor Directional Wi-Fi Antenna.
- 
- The diagram shows a wireless device connected to a 3ft jumper cable (1). The other end of the jumper cable is connected to a premium surge protector (2). The surge protector is grounded. A 25ft outdoor antenna cable (3) is connected to the surge protector (3a) and extends outdoors to a high power antenna (3b). A 25ft outdoor WiFi antenna cable (4) is pre-connected to the high power antenna.

* Note: If you have a wireless device with an N-Type Female connector, then simply connect the Premium 25ft Outdoor WiFi Antenna Cable APC25EX between your wireless device and the High Power Antenna. The Premium Surge Protector and Jumper Cable are not required, but are used with your wireless device for safety precautions to prevent damage from electrical surges.

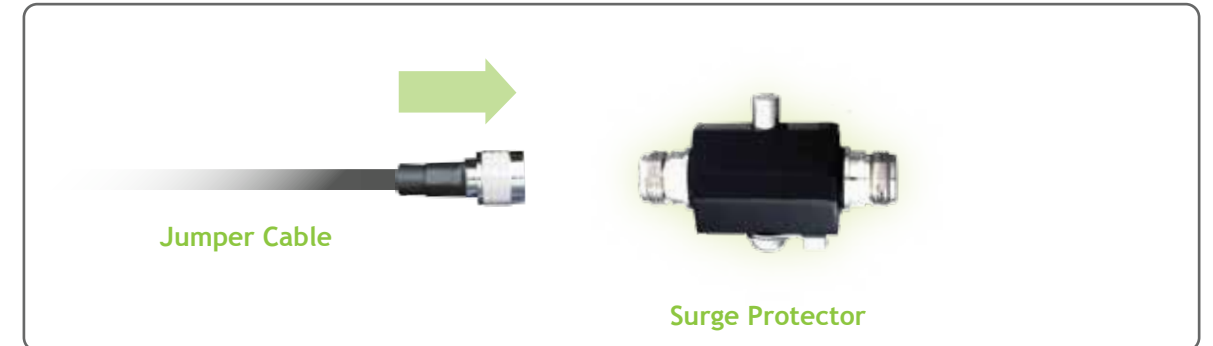
1 Remove the antenna from you wireless device

Attach the Jumper Cable to the antenna connector using the side with the RP-SMA connector.



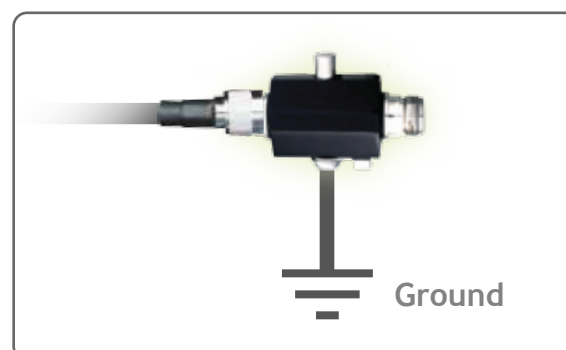
2 Connect the Jumper Cable to the Premium Surge Protector

Find the N-Type connectors on the Premium Surge Protector.



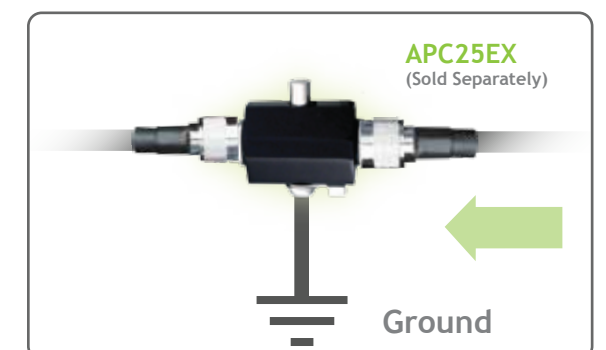
3 Ground the Premium Surge Protector

Fasten a standard copper wire to the ground wire connector on the Premium Surge Protector. Ground or fasten the opposite end of the copper wire to a metal stake that is fastened to the earth. Properly grounding the Surge Protector will protect your equipment from high voltage electrical surges by allowing the earth to absorb the electrical surge.



4 Connect the Premium Outdoor Antenna Cable to the Surge Protector

Find the N-Type female connector on the Surge Protector and attach either end of the Premium Outdoor Cable to the Surge Protector. Run the other end of the cable to the location where you plan on installing the High Power Antenna.



5 Mount the Antenna

Before you attach the other end of the Outdoor Antenna Cable to the High Power Antenna, it is important that you first mount the High Power Antenna securely. Use the antenna mounting instructions on the back to securely mount the High Power Antenna.



6 Attach the Outdoor Antenna Cable to the High Power Antenna

Locate the N-Type male connector from the Outdoor Antenna Cable and fasten it tightly to the N-Type female connector of the High Power Antenna.

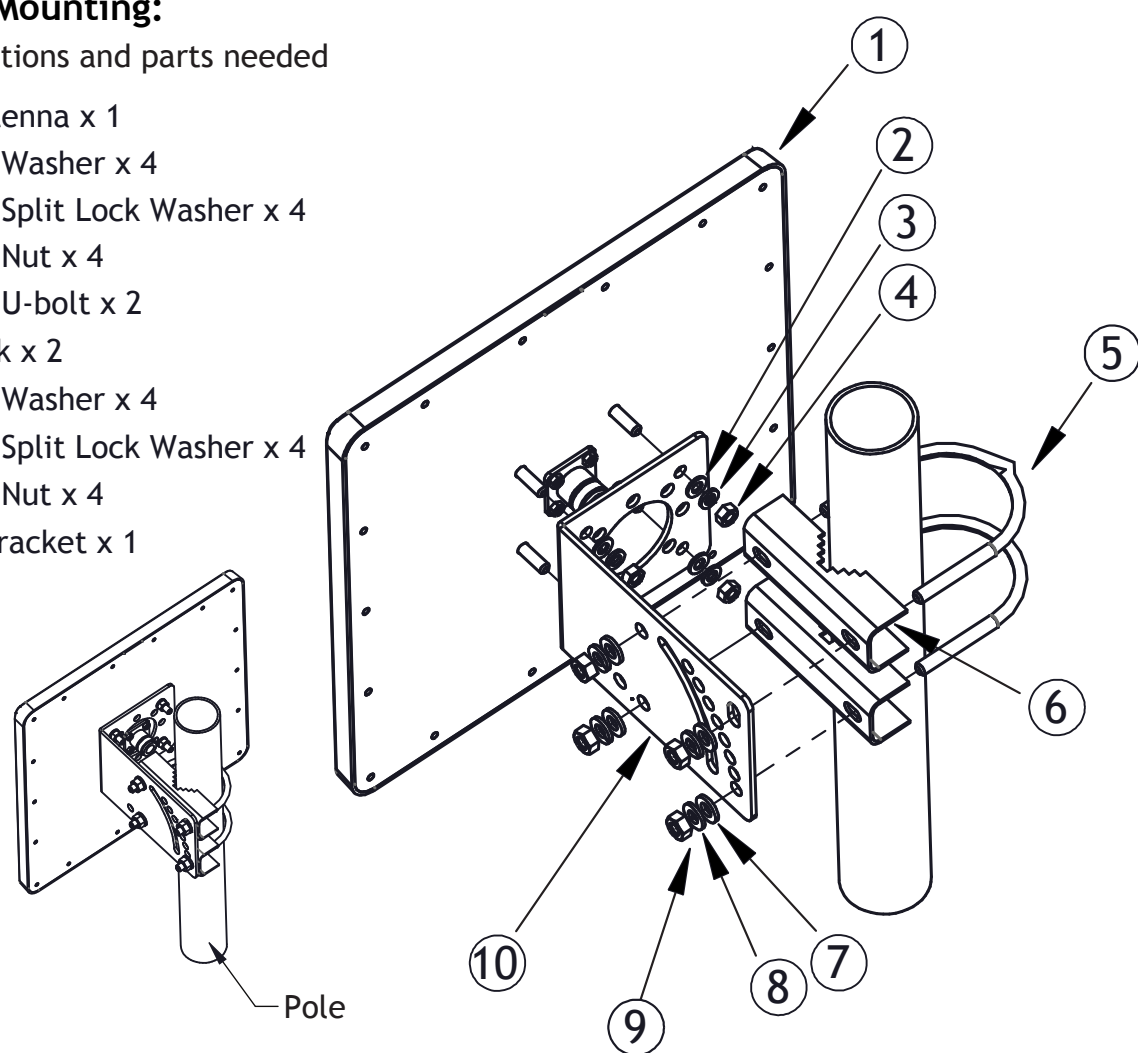


Mounting Instructions

Pole Mounting:

Instructions and parts needed

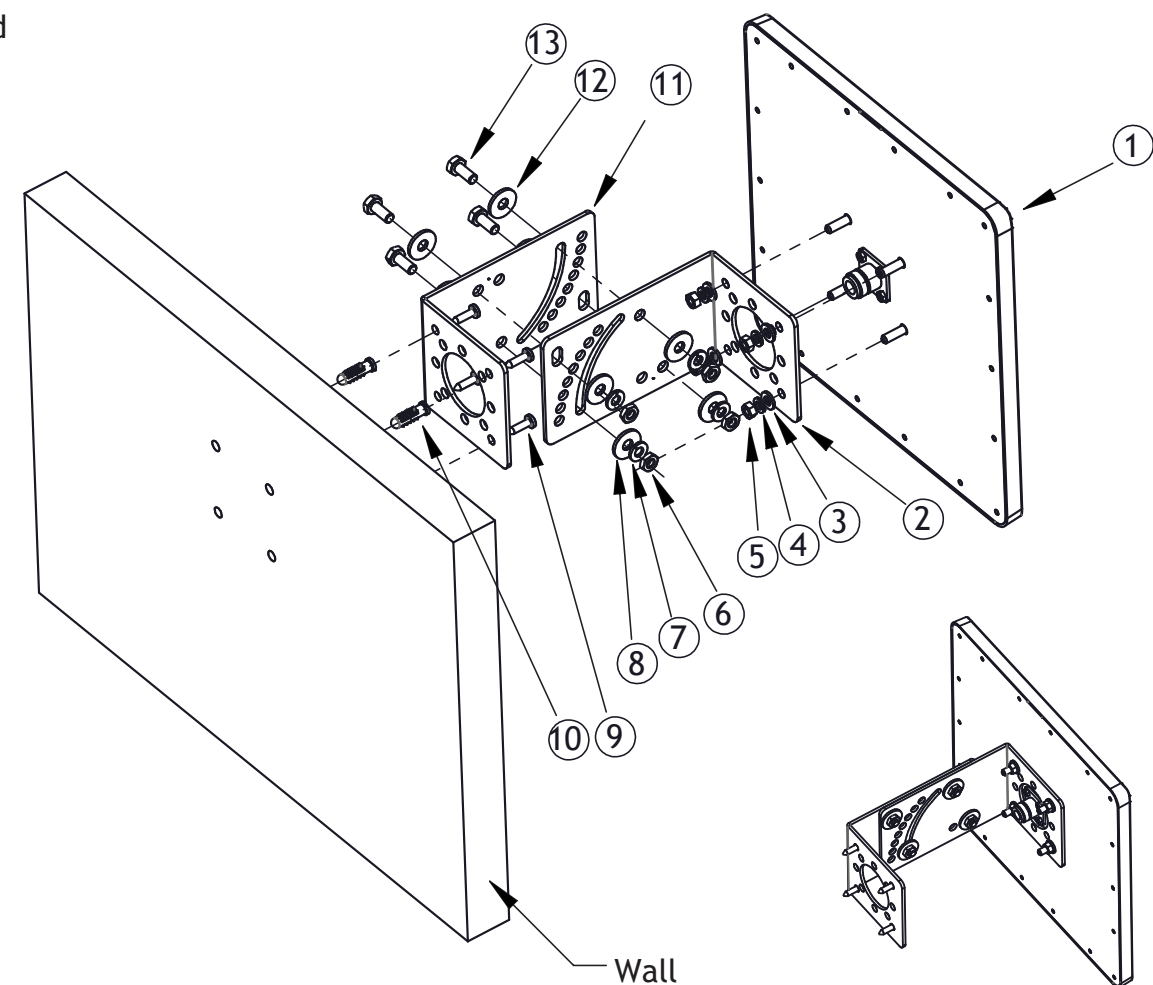
- ① Antenna x 1
- ② M5 Washer x 4
- ③ M5 Split Lock Washer x 4
- ④ M5 Nut x 4
- ⑤ M6 U-bolt x 2
- ⑥ Link x 2
- ⑦ M6 Washer x 4
- ⑧ M6 Split Lock Washer x 4
- ⑨ M6 Nut x 4
- ⑩ L Bracket x 1



Wall Mounting:

Instructions and parts needed

- ① Antenna x1
- ② L Bracket (1) x1
- ③ M5 Washer x 4
- ④ M5 Split Lock Washer x 4
- ⑤ M5 Nut x4
- ⑥ M6 Nut x4
- ⑦ M6 Split Lock Washer x 4
- ⑧ M6 Washer x 4
- ⑨ Wall Screw x 4
- ⑩ Wall Anchor x 4
- ⑪ L Bracket (2) x 1
- ⑫ M6 Washer x4
- ⑬ M6 Bolt x4



Antenna Operating Tips:

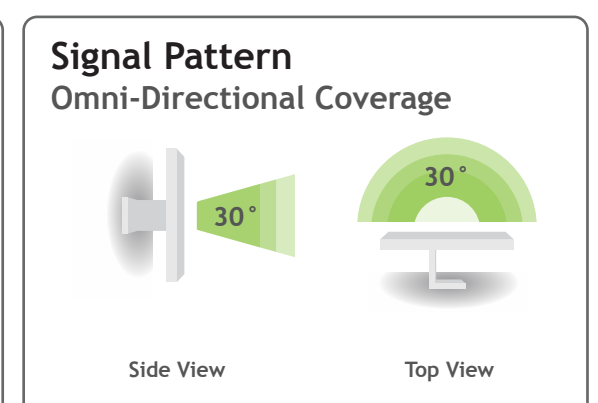
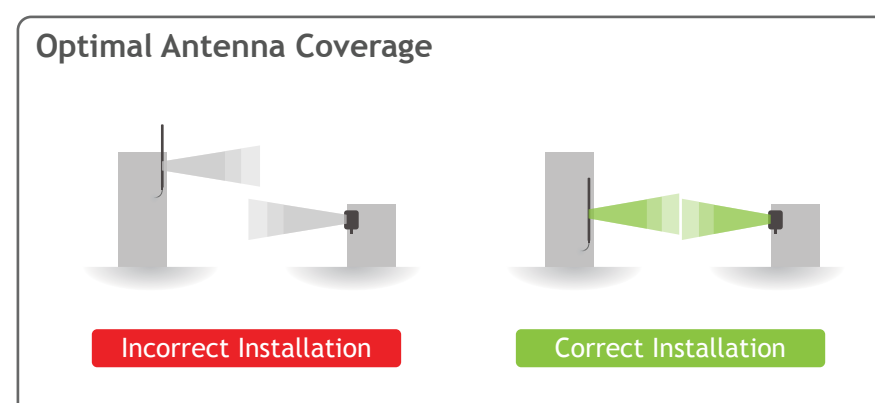
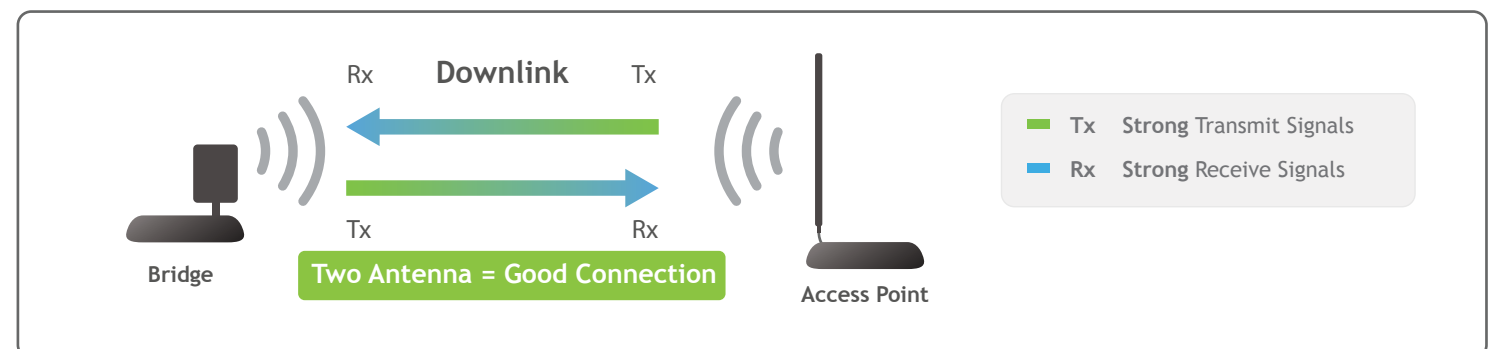
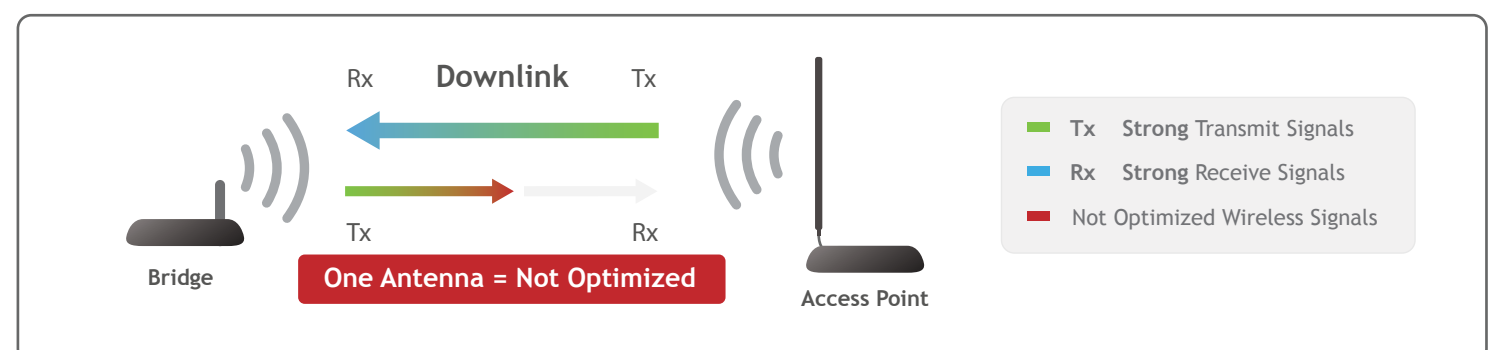
Two High Power Antennas are better than One:

To get the most out of your High Power Wireless Antenna, it is always recommended that you use multiple antennas (one on each side of your connection). High Power Wireless Antennas increase the transmit power of your wireless device by concentrating the wireless signal from your wireless device. In order to achieve optimal range, it is recommended that a high gain antenna is used on each end of your wireless connection.

High Power Amped Wireless WiFi devices also help to increase the overall range of your wireless application. Amped Wireless High Power Wireless products include power amplifiers that boost both receiving and transmitting strength.

Antenna Positioning:

High Power Antennas have antenna gain levels that are much higher than standard wireless antennas. By concentrating the wireless signal, High Power Antennas modify the signal pattern of your wireless device. It is important that you understand the wireless output pattern of your High Power Antenna (right) so you may carefully position it to your desired output location. If you feel that you are not getting the wireless range and performance from the antenna, you may need to adjust the position of your antenna until the desired performance is achieved. Check the signal strength of your setup using the user interface of your WiFi device or through a 3rd party WiFi network analyzer software.



Product Warranty and Regulatory Information

The Amped Wireless (A division of Newo Corporation, Inc.) Limited Warranty

Warranty Period: The Amped Wireless Limited Warranty is for one (1) year from the date of purchase for new products. Refurbished products carry the Limited Warranty for thirty (30) days after the date of purchase.

Guarantee: Amped Wireless warrants to the original purchaser that the hardware of this Amped Wireless product shall be free of defects in design, assembly, material, or workmanship.

Conditions: The Amped Wireless Limited Warranty is for repair or replacement only at the sole discretion of Amped Wireless. Amped Wireless does not issue any refunds for purchased product. In the event that Amped Wireless is unable to repair or replace a product (i.e. discontinued product), Amped Wireless will offer a credit toward the purchase of a similar product of equal or lesser value direct from Amped Wireless. Any repaired or replacement products will be warranted for the remainder of the original Warranty Period or thirty (30) days, whichever is longer. Amped Wireless reserves the right to discontinue any of its products without notice, and disclaims any limited warranty to repair or replace any such discontinued product. Amped Wireless reserves the right to revise or make changes to this product, its documentation, packaging, specifications, hardware, and software without notice. If any portion of the Amped Wireless Limited Warranty is found to be unenforceable, its remaining provisions shall remain in effect. All costs of shipping the product to Amped Wireless shall be borne solely by the purchaser.

Limitations: IN NO EVENT SHALL AMPED WIRELESS' (NEWO CORPORATION'S) LIABILITY EXCEED THE AMOUNT PAID BY YOU FOR THE PRODUCT FROM DIRECT, INDIRECT, SPECIAL, INCIDENTAL OR CONSEQUENTIAL DAMAGES RESULTING FROM THE USE OF THE PRODUCT, ITS ACCOMPANYING SOFTWARE, ACCESSORIES OR ITS DOCUMENTATION. The Amped Wireless Limited Warranty does not apply if: (a) the product assembly has been opened or damaged, (b) the product or its software or firmware has been altered or modified, (c) the product has not been used and installed in accordance to Amped Wireless' instructions, (d) the product has been subjected to misuse, or negligence. Amped Wireless does not guarantee the continued availability of a third party's service for which this product's use or operation may require. The Amped Wireless Limited Warranty does not protect against acts of God, vandalism, theft, normal wear and tear, obsolescence and environmental damages such as, but not limited to, weather and electrical disturbances. The Amped Wireless Limited Warranty is the sole warranty for this product. There are no other warranties, expressed or, except required by law, implied, including the implied warranty or condition of quality, performance merchantability, or fitness for any particular purpose.

How to Claim Warranty Service:

In the event that you have a problem with your Amped Wireless product:

- 1) Check the Amped Wireless website for support for your product: www.ampedwireless.com/support/
- 2) If you cannot find a solution for your product issue, call the Amped Wireless Technical Support department to help troubleshoot your issue:
Toll Free: 888-573-8820 Local: 909-992-3209 x 4
- 3) If the Amped Wireless support agent cannot solve your problem, the support agent will check to make sure your product is eligible for warranty service. A product is eligible for warranty service under the following conditions:
 - a. Your product was purchased within 1 year from your service request
 - b. Your product is registered with Amped Wireless
 - c. You have product serial number available
 - d. You have the proof of purchase for your product
- 4) The support agent will then provide you with a "Ticket" number and access to the RMA website to fill out a form for warranty service
- 5) Send the form back to the agent and you will be provided an RMA number along with instructions on how to ship your product back to Amped Wireless for service. You will be responsible for properly packing and shipping the product at your cost to Amped Wireless. Be sure to include all accessories, cables and power adapters.
- 6) Amped Wireless will service your product and determine whether a replacement or repair is needed for your product issue.
- 7) After the service is complete, your product will be shipped back to you (Amped Wireless has the right to determine the bearer of cost related to shipping product back to the customer).

Technical Support:

The Amped Wireless Limited Warranty is not related to the terms, conditions and policies of Amped Wireless' Technical Support offerings. For questions regarding support, please contact techsupport@ampedwireless.com